

## F101

The F101 loudspeaker brings Funktion One's unique sound quality and purity of design to a wider audience than ever before, offering a fresh choice to those searching for sonic involvement from a small source.

The F101 delivers excellent definition and full bodied vocal intelligibility. In common with our larger scale systems, this loudspeaker also provides high imaging detail and clarity. Furthermore, with Funktion One's exceptional enclosure tuning and driver optimisation, no processor or system equalisation is required, maximising the fidelity, performance, natural simplicity and cost effectiveness of this product. Its sensitivity of 101dB for 1 Watt at 1 Metre is unprecedented for this class of loudspeaker. Out of operating band low frequency protection is incorporated.

The F101 is ideal for many applications including studio reference monitoring, AV presentations and theatre use. It is the product of choice for many bar and restaurant installs. In 2010, the F101 was awarded the DJ Magazine Tech Award for Studio Monitor of the Year.

The F101 forms a potent system when complemented with Funktion One bass enclosures including the MB210LP, MB212 and the smaller BR & F series enclosures.



### Features:

- Compact enclosure with high output
- Wide dispersion
- 10" and 1" drivers optimised to Funktion One specification.
- Excellent sensitivity
- High passive crossover point to HF driver for low distortion
- Choice of Speakon or installation connectors
- M8 mounting and attachment points
- Curved powder coated steel grill
- Integral pole mount

Driver	Sensitivity (1W at 1m)	Power (rms*)	Nominal Impedance
10" 1"	101dB	150W	8Ω

\*AES rated

Frequency Response ±3dB:

85Hz - 19kHz

Weight:

10kg (22lbs)

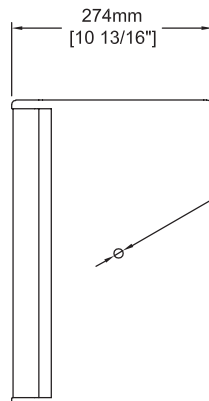
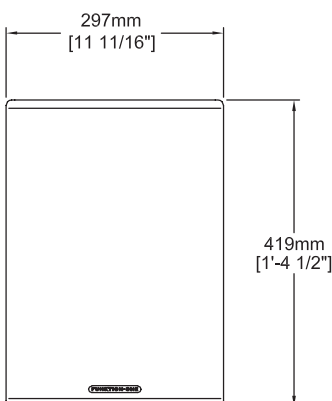
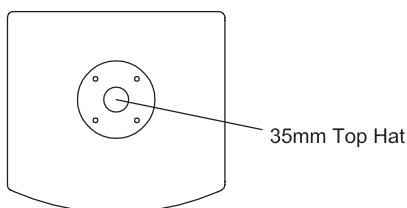
Nominal Dispersion:

90° conical

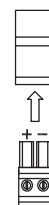
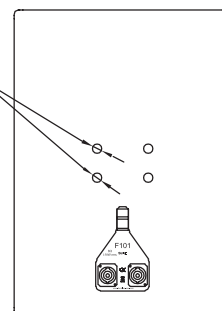
Connectors:

2 x Speakon NL4

or Phoenix installation connectors



M8  
Flypoints



Fitted with two Speakon NL4s or Phoenix installation connector.

